

GXD Range Brass Cable Gland Pack

FOR BRAIDED TYPE CABLE

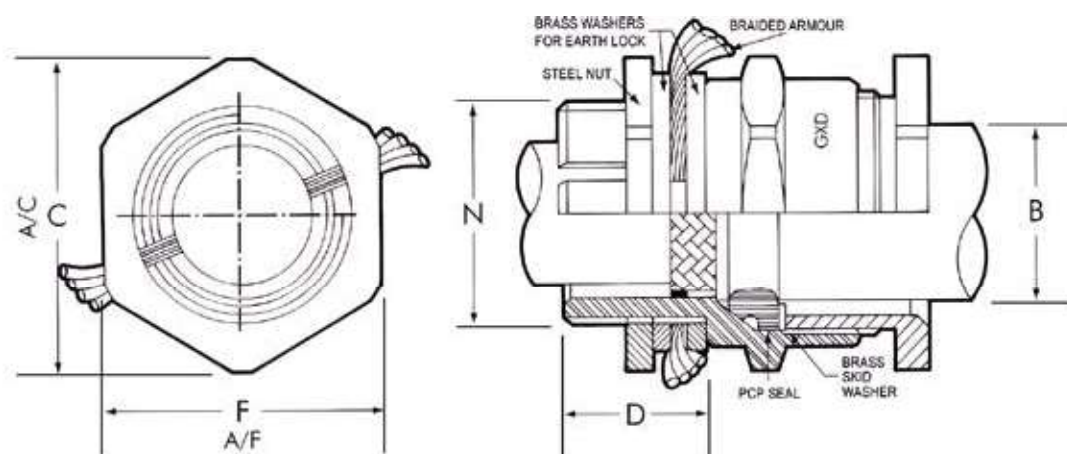
Application: Brass indoor and outdoor gland suitable for all types of flexible wire braided cable such as CY and SY. The gland provides an environmental seal on the cable outer sheath and internal mechanical retention of wire braid for electrical continuity.

Gland complete with steel locknuts and brass washers.

Continuous operating temp: PVC: -20°C to +130°C
LSF: -20°C to +130°C

Ingress protection: IP66

Approval: Conforms to BS EN 62444:2013



Part No.	Pack Quantity	Entry Thread		Cable Acceptance Details		Hexagonal Details	
		Diameter N	Length D	Minimum B	Maximum B	A/F F	A/C C
GXD20S* PACK	2	20	15	6.1	11.6	22.0	24.4
GXD20* PACK	2	20	15	6.5	13.9	24.0	27.5
GXD25* PACK	2	25	15	11.1	19.9	32.0	36.8
GXD32* PACK	2	32	15	17.0	26.2	40.5	45.5
GXD40* PACK	1	40	15	22.0	32.1	47.0	52.0
GXD50S* PACK	1	50	15	29.8	38.1	62.0	69.5
GXD50* PACK	1	50	15	26.9	43.3	59.9	66.4

All dimensions are in mm.

Pack content: Gland(s), locknut(s), shroud(s) and brass washer(s).

*Add LSF to the Part No. for Low Smoke & Fume version, i.e. **GXD20SLSF PACK**